



GTC COMPACT



GTC COMPACT

GTC compact is a multipurpose drilling machine for professional as well as personal use.

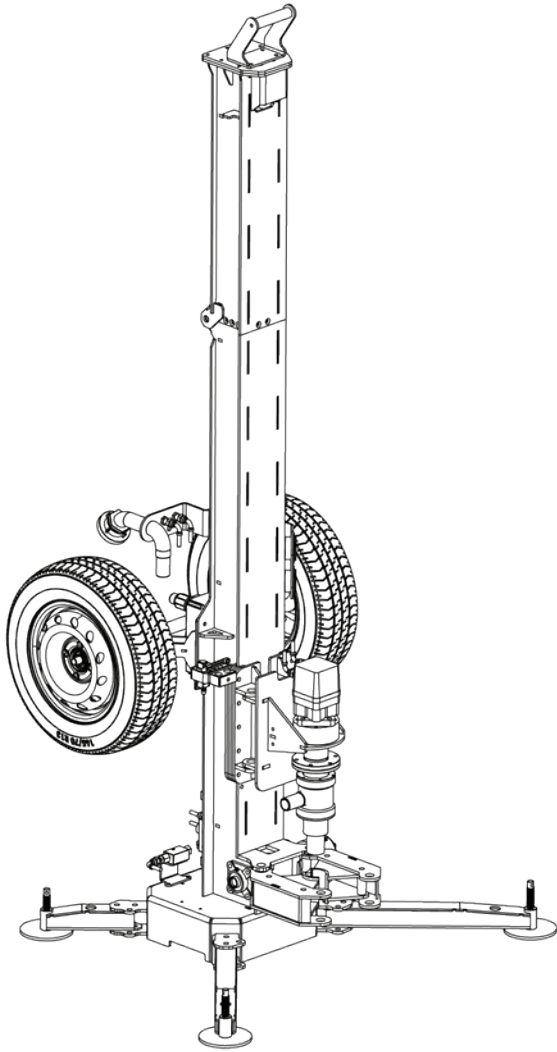
The machine consists of a drilling mast and a hydraulic generator as a separate unit. Machine is powered by a Briggs and Stratton engine, drillings controls are via remote.

AREA OF USAGE:

- ➔ Water wells
- ➔ Geothermal drilling
- ➔ Geotechnical drilling
- ➔ Sampling
- ➔ DTH drilling

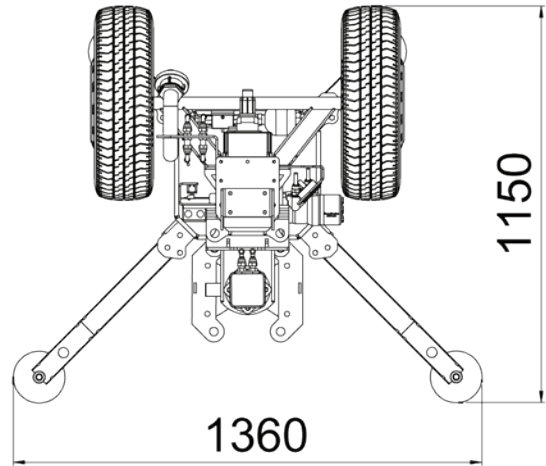


SPECIFICATIONS	GTC COMPACT
Rotary head torque	850nm
Rotary head RPM	40
Max pull up	1300kg
MAx pull down	200-1300kg
Water swivel head	Da
Pipe feed	1.5m
Max drilling depth	80m
Max drilling diameter	200mm
Power supply	benzin
Engine power	14hp



FRONT SIDE

TOP SIDE



LEFT SIDE

